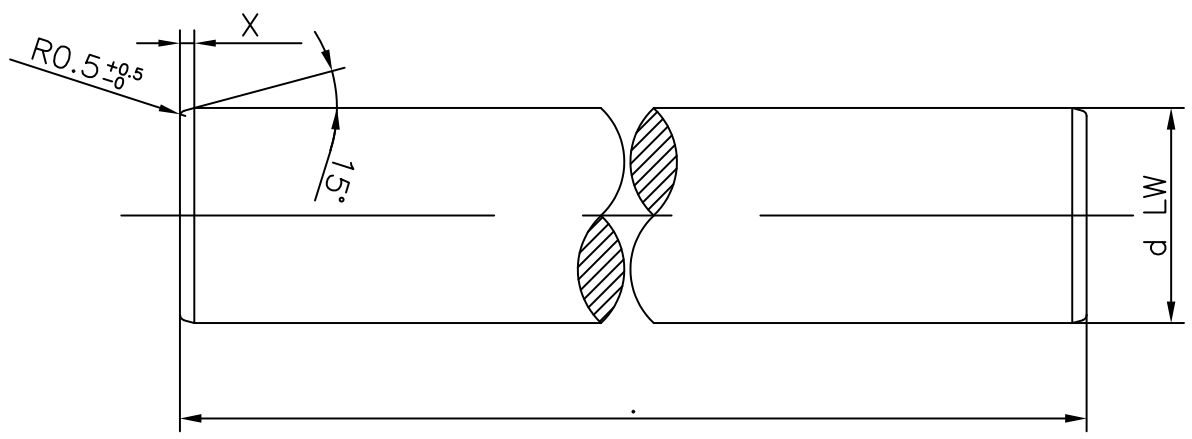


This drawing is protected by copyright law. The owner of the copyright reserves all rights. In accordance with the copyright law, this drawing may only be used for the agreed purpose by the person authorized by the copyright owner. Any other reproduction, copying or use of this drawing without the written consent of the copyright owner is prohibited.

First angle projection
 Projektionsmethode in 1. Quadranten



Axeldiameter d_{LW} mm	Fas X mm
$d_{LW} \leq 10$	1^{+1}_0
$10 < d_{LW} \leq 30$	1.5^{+1}_0
$30 < d_{LW} \leq 80$	2.5^{+1}_0

Tolerancing ISO 8015
Tolerierung

Rev.	Mod. no.	Modification	- Only to be modified on AutoCAD -			Date	Drn.	Chd.
Drn.	Date	Name	Production Drawing Fertigungszeichnung			Schaeffler Sverige AB © S-195 05 Arlandastad		
Chd.			Type			Drawing number Zeichnungsnummer		
Size	Scale	Description, Dimens. Benennung, Abmessung			Item. no. Var. no. Sheet			
A		BEARBETNING ST			01-			
Gen. tol.					Supersedes			
ISO 2768-mH					Blank number			
Mass		Raw mat./Material/Item no. Halbzeug/Werkstoff/Sach-Nr.						

